

LET'S GO



The One Stroller Snack Tray
Instructions December 2023

INDEX

3. Warning

4. Operating

- Installing the Snack Tray
- Lowering and Raising the Snack Tray when folding the stroller
- Removing the Food Container



WARNING: **NEVER LEAVE CHILD UNATTENDED.** **FAILURE TO FOLLOW THESE WARNINGS** **AND INSTRUCTIONS COULD RESULT IN** **SERIOUS INJURY OR DEATH.**

Excessive weight may cause a hazardous unstable condition to exist.

NEVER use with children under 9 months of age.

NEVER use Snack Tray with footrest in upright position.

NEVER place a hot drink in the cup holder.

NEVER allow child to utilize Snack Tray in recline positions.

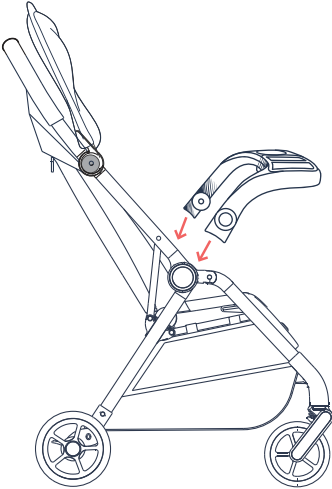
NEVER leave beverage containers in the cup holder when disengaging the seat from the frame.

- Intended for use with Colugo The One stroller model only.
- Use of the Snack Tray on uneven or rough terrain may result in leaks or spills.
- Use with lidless cup or container is not recommended.
- Maximum weight: 3 lbs

CLEANING

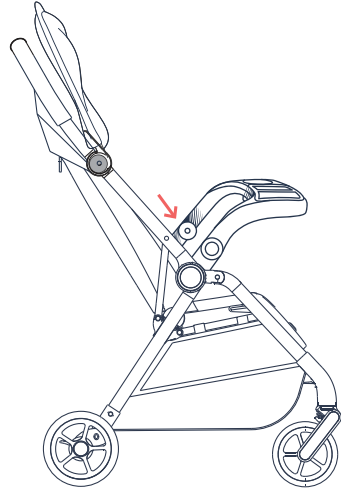
Wash removable tray top with mild detergent and warm water prior to first use. Removable tray top is dishwasher safe. Spot clean lower black housing.

INSTALLATION INSTRUCTIONS



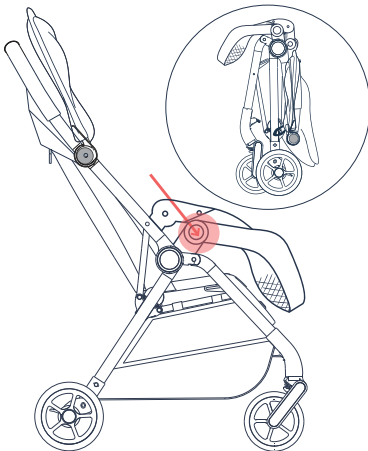
ATTACHING SNACK TRAY

1. Lower each arm onto the attachment points on the stroller frame.



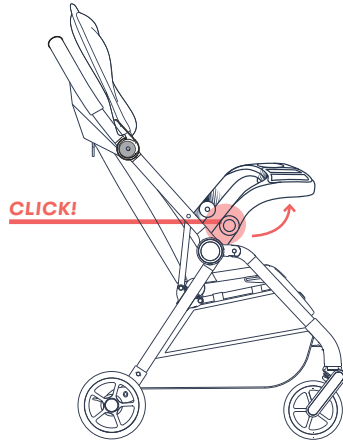
REMOVING SNACK TRAY

2. Press the circular buttons on the inside of the snack tray arms to remove the snack tray.



LOWERING THE SNACK TRAY WHEN FOLDING THE STROLLER

3. Press black buttons located on the outside of the snack tray to fold down the snack tray. Then, fold the stroller.



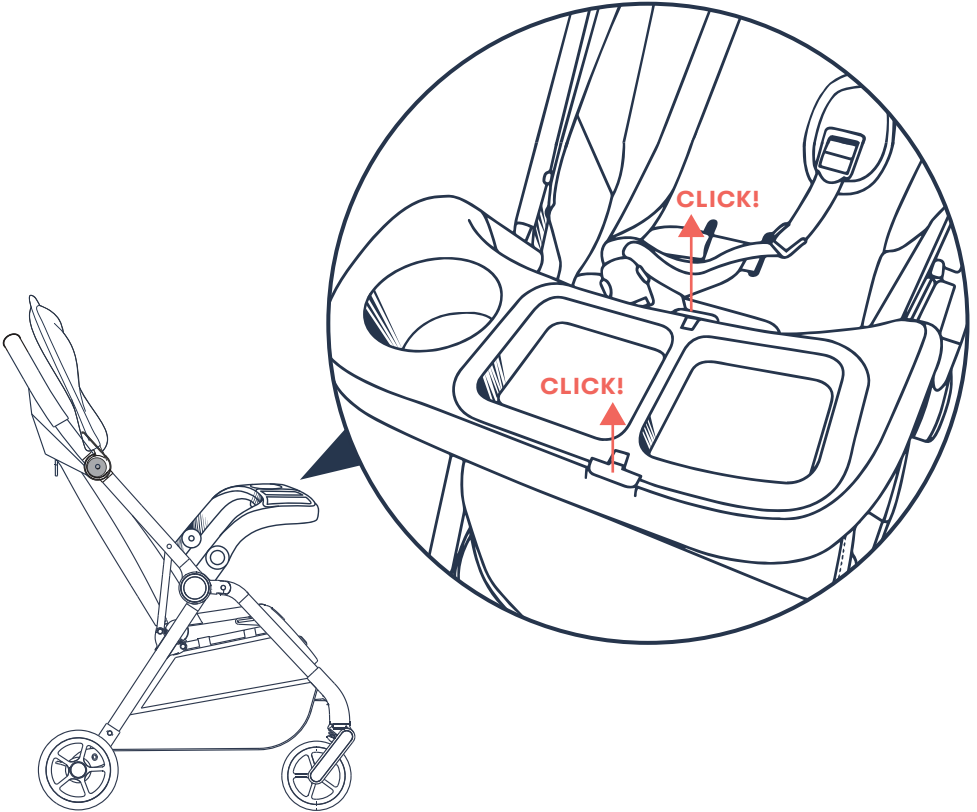
RAISING THE SNACK TRAY WHEN FOLDING THE STROLLER

4. [WARNING: Ensure the snack tray is upright and locked into place (you will hear a “click”) after unfolding the stroller]. Unfold the Stroller. Then, raise the snack tray until it “clicks” into place.

REMOVING THE FOOD CONTAINER

Pull up on the food container to disengage the two plastic tabs on the food container from the snack tray.

Be sure that both plastic tabs are disengaged before removing the snack tray, or you may risk damaging the food container.



COLUGO

www.colugo.com

COLUGO LLC

929 108th Ave NE Suite 1410
Bellevue, WA 98004